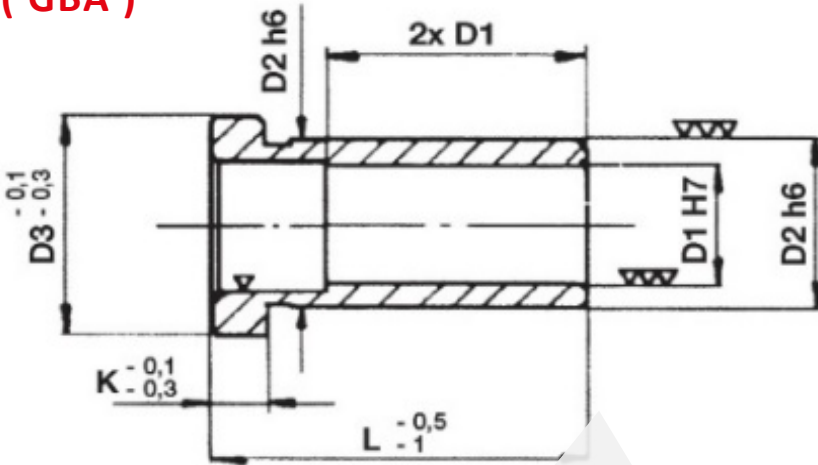


**GUIDE PILLAR BUSH**

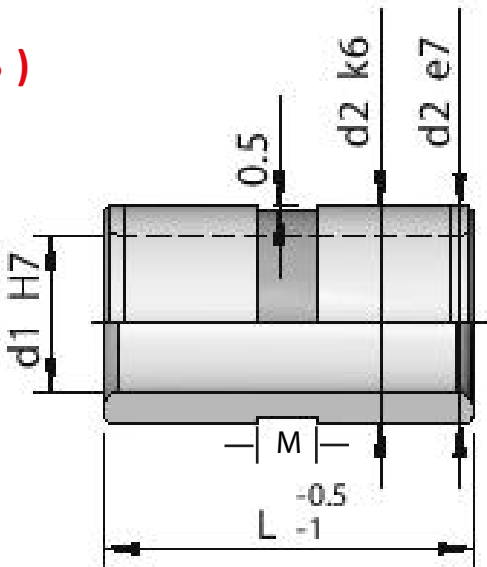
( GBA )



GUIDE BUSH (GBA) MATERIAL - 20 Cr HARDNESS - 58-62 HRC

| D1 | D2 | D3 | K  | LENGTH (L) |    |    |    |    |    |    |    |    |     |     |     |     |     |
|----|----|----|----|------------|----|----|----|----|----|----|----|----|-----|-----|-----|-----|-----|
|    |    |    |    | 25         | 30 | 35 | 45 | 55 | 65 | 75 | 86 | 96 | 106 | 116 | 126 | 136 | 156 |
| 16 | 22 | 26 | 6  | A          | A  | A  | A  | A  | A  | A  |    |    |     |     |     |     |     |
| 20 | 30 | 35 | 6  |            | A  | A  | A  | A  | A  | A  | A  | A  | A   | A   |     |     |     |
| 25 | 35 | 40 | 8  |            |    | A  | A  | A  | A  | A  | A  | A  | A   | A   |     |     |     |
| 30 | 42 | 48 | 8  |            |    |    | A  | A  | A  | A  | A  | A  | A   | A   | A   | A   | A   |
| 35 | 47 | 53 | 8  |            |    |    | A  | A  | A  | A  | A  | A  | A   | A   | A   | A   | A   |
| 40 | 55 | 61 | 10 |            |    |    |    | A  | A  | A  | A  | A  | A   | A   | A   | A   | A   |

( GBB )



GUIDE BUSH (GBB) MATERIAL - 20 Cr HARDNESS - 58-62 HRC

| d1 | d2 | M | LENGTH (L) |    |    |    |    |    |    |    |    |     |     |     |
|----|----|---|------------|----|----|----|----|----|----|----|----|-----|-----|-----|
|    |    |   | 25         | 30 | 35 | 45 | 55 | 65 | 75 | 86 | 96 | 106 | 116 | 126 |
| 16 | 22 | 6 | A          | A  | A  | A  | A  |    |    |    |    |     |     |     |
| 20 | 30 | 6 |            | A  | A  | A  | A  | A  | A  |    |    |     |     |     |
| 25 | 35 | 8 |            |    | A  | A  | A  | A  | A  | A  |    |     |     |     |
| 30 | 42 | 8 |            |    |    | A  | A  | A  | A  | A  |    |     |     |     |
| 35 | 47 | 8 |            |    |    | A  | A  | A  | A  | A  | A  |     |     |     |
| 40 | 55 | 8 |            |    |    |    | A  | A  | A  | A  | A  | A   | A   | A   |